

Test 20 Test-Point Couplings

TP-T20 series - M16 x 1.5 / M16 x 2.0

ISO 15171-2

Ball-type Valve Function

INTRODUCTION

T20 Test-Point couplings are used for pressure control, monitoring, and ventilation.

These ball-type valve couplings can connect easily to measurement control and switching devices, and **can be connected under pressure (of up to 400 bar)** for Hydraulic oils and mineral based fluids (please remember to check compatibility of the seal material; NBR / FKM)

FEATURES

- Easy to connect with leak-proof connections.
- Can connect under pressure (up to 400 bar max).
- Operating Temperatures (with NBR seals): -20°C to 100°C
- Zinc nickel plating provides good corrosion resistance.
- Stainless Steel versions and alternative seals (FKM) are available on request.

MATERIALS

Steel with zinc-nickel plating (Cr6-free transparent passivation), and fitted with nitrile (NBR) seals.

Alternative versions with stainless steel parts and FKM seals available on request.



Performance Characteristics	Connection Type							
	BSPP Male		BSPP Gauge Female		BSPT Male		JIC Female Swivel	
	1/8"	1/4"	1/4"	1/2"	1/8"	1/4"	7/16"	9/16"
Maximum Working Pressure	400 bar	630 bar	630 bar	630 bar	400 bar	630 bar	630 bar	630 bar
	5800 PSI	9130 PSI	9130 PSI	9130 PSI	5800 PSI	9130 PSI	9130 PSI	9130 PSI

Performance Characteristics	Connection Type							
	Metric Male (Port)		NPT Female		UN O-ring Male		JIC Female Swivel	
	10 x 1mm	12 x 1.5mm	1/4"	1/2"	7/16"	9/16"	7/16"	9/16"
Maximum Working Pressure	630 bar	630 bar	630 bar	630 bar	630 bar	630 bar	630 bar	630 bar
	9130 PSI	9130 PSI	9130 PSI	9130 PSI	9130 PSI	9130 PSI	9130 PSI	9130 PSI

✓ The right connector
✓ The right price

www.fluidconnectors.com

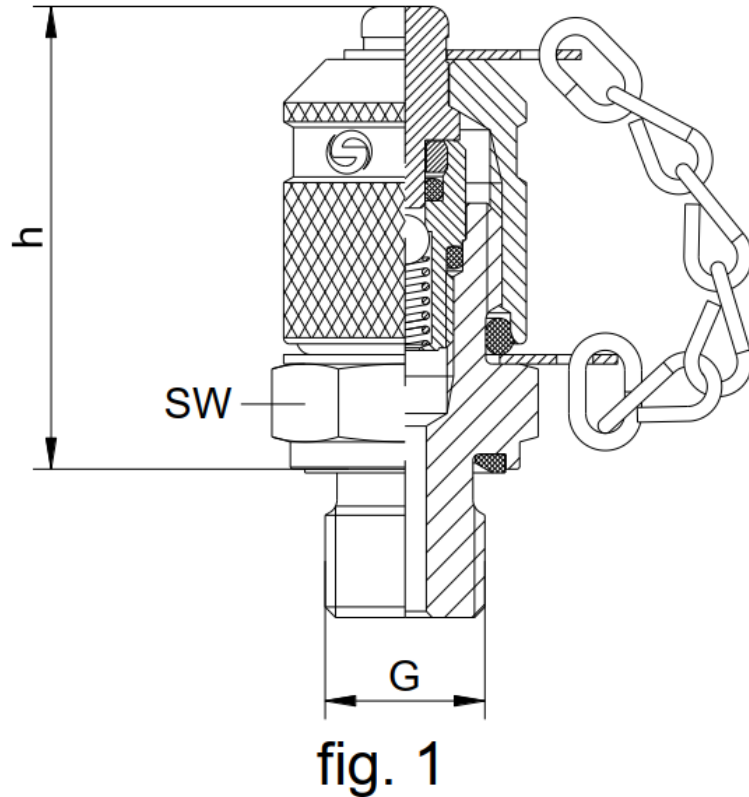
NZ: +64 9 274 4830

AU: +61 8 9244 8266



Dimensions

Male Connections



Part Number	T20 Thread	G (Thread)	SW (hex)	h
TP-BPM-T20-0216(1.5)	M16 x 1.5	1/8" BSPP M	17	38
TP-BPM-T20-0216(2.0)	M16 x 2.0	1/8" BSPP M	17	39
TP-BPM-T20-0416(2.0)	M16 x 2.0	1/4" BSPP M	19	37
TP-BTM-T20-0216(2.0)	M16 x 2.0	1/8" BSPT M	17	36
TP-BTM-T20-0416(2.0)	M16 x 2.0	1/4" BSPT M	17	35
TP-MSM-T20-1016(2.0)	M16 x 2.0	10 x 1.0mm	17	38
TP-MSM-T20-1216(2.0)	M16 x 2.0	12 x 1.5mm	17	39
TP-UNM-T20-0716(2.0)	M16 x 2.0	7/16" UN O M	17	38
TP-UNM-T20-0916(2.0)	M16 x 2.0	9/16" UN O M	19	38

All dimensions in mm unless otherwise stated. Dimensions shown are for guidance only, if critical contact FC staff.

✓ The right connector
✓ The right price

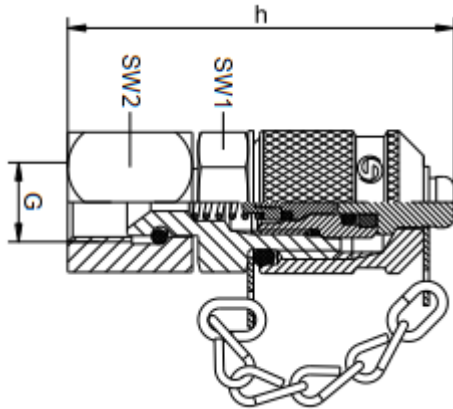
www.fluidconnectors.com

NZ: +64 9 274 4830
AU: +61 8 9244 8266

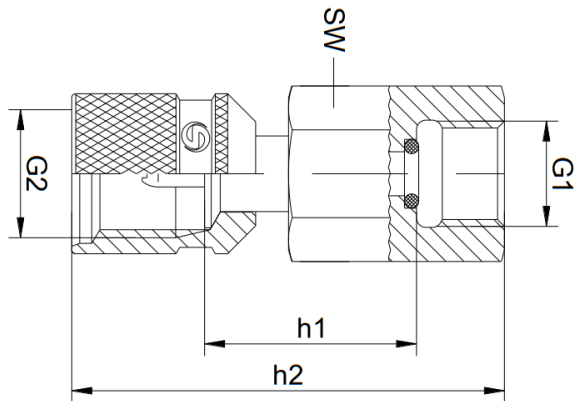


Dimensions

Female Connections - part 1



Part Number	G2 (T20 Thread)	G1 (Thread)	SW1 (hex)	SW2(hex)	h
TP-JIF-T20-0716 (2.0)*	M16 x 2.0	7/16" JIC F Sw.	17	17	54
TP-JIF-T20-0916 (2.0)*	M16 x 2.0	9/16" JIC F Sw.	17	19	51



Part Number	G2 (T20 Thread)	G1 (Thread)	SW (hex)	h1	h2
TP-NTF-T20F-0416(2.0)	M16 x 2.0	1/4" NPT F	19	-	53
TP-NTF-T20F-0816(2.0)	M16 x 2.0	1/2" NPT F	27	-	59

All dimensions in mm unless otherwise stated. Dimensions shown are for guidance only, if critical contact FC staff.

✓ The right connector
✓ The right price

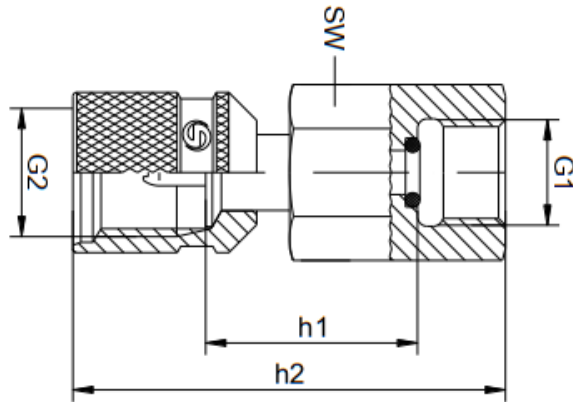
www.fluidconnectors.com

NZ: +64 9 274 4830
AU: +61 8 9244 8266

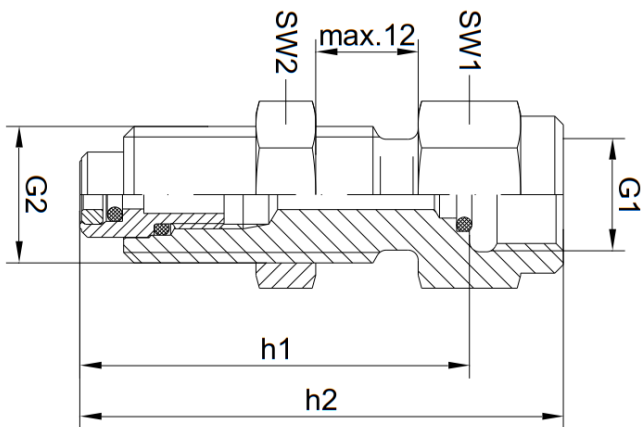


Dimensions

Female Connections - part 2



Part Number	G2 (T20 Thread)	G1 (Thread)	SW (hex)	h1	h2
TP-BGF-T20F-0416(2.0)	M16 x 2.0	1/4" BSPP Gauge F	19	27	54
TP-BGF-T20F-0816(2.0)	M16 x 2.0	1/2" BSPP Gauge F	27	25	58



Part Number	G2 (T20 Thread)	G1 (Thread)	SW1 (hex)	SW2(hex)	h1	h2
TP-BGF-T20B-0416(2.0)	M16 x 2.0 (Bulkhead)	1/4" BSPP Gauge F	19	19	46	57

All dimensions in mm unless otherwise stated. Dimensions shown are for guidance only, if critical contact FC staff.

✓ The right connector
✓ The right price

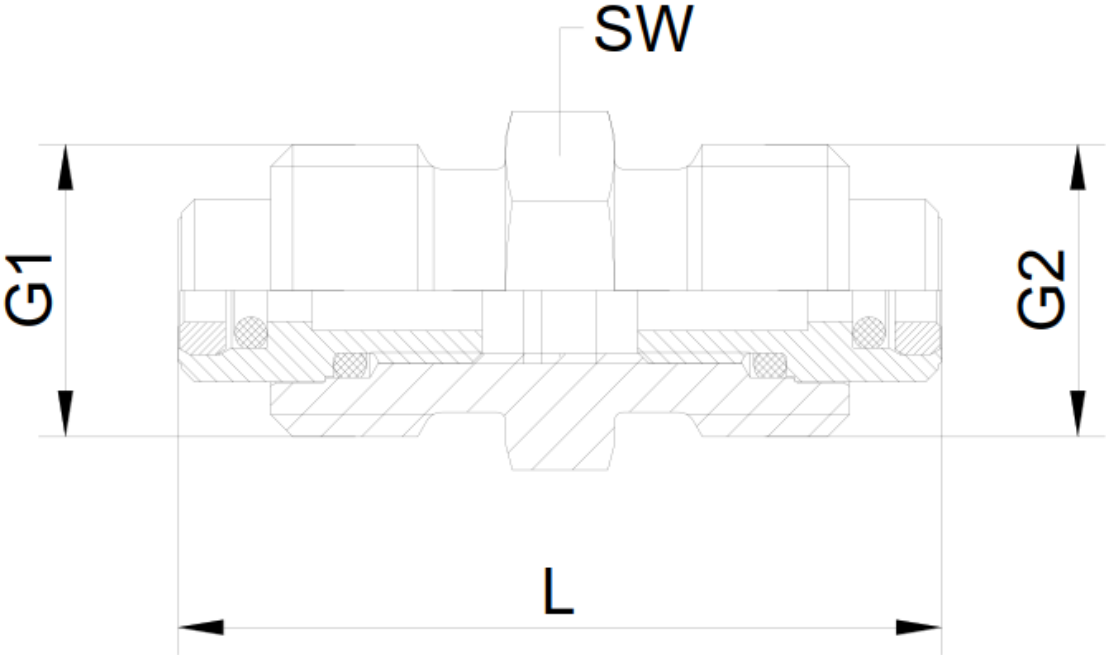
www.fluidconnectors.com

NZ: +64 9 274 4830
AU: +61 8 9244 8266



Dimensions

Female Connections - part 3



Part Number	G1 (T20 Thread)	G2 (T20 Thread)	SW (hex)	L
TP-T20-T20-M16 (1.5)	M16 x 1.5	M16 x 2.0	17	42
TP-T20-T20-M16 (2.0)	M16 x 2.0	M16 x 2.0	17	42

All dimensions in mm unless otherwise stated. Dimensions shown are for guidance only, if critical contact FC staff.

✓ The right connector
 ✓ The right price

www.fluidconnectors.com

NZ: +64 9 274 4830
 AU: +61 8 9244 8266

